

#### Pulse-Plus FEATURES

Time is money. Whether you are changing over your line, performing routine maintenance, or installing thousands of Ethernet connectors, untold hours and dollars are lost every day due to the inefficient design of threaded connectors. Luckily, Alden's automatically-locking Pulse Plus™ Industrial Ethernet connector can save you both time and money.

#### Packaging (intuitive, compact, configurable)

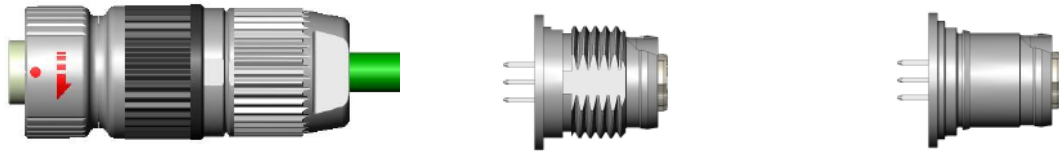
- Easy to Use
- Pulse-Lok, Quick-Lok mating Action
- Positive Mating Feedback Confirms Continuity
- Backwards compatibility to threaded M12 D-coded plugs or Pulse Plus Plugs
- Environmental Rating IP65/IP67
- Reduced installation time and money

- Visual, audible and tactile mating confirmation
- IEC 61076-2-101 D-coded Industrial
- Ethernet approved by IAONA, ODVA & PNO
- ODVA Ethernet/IP 4-pin compatible

Cable Assemblies Available in Standard and Custom Lengths

Pulse Plus™ eliminates threading in a snap!

#### SPECIFICATIONS



Connector Type	Pulse Plus Field Installable Plug Kit	Panel Mount Rcpt Thread	Panel Mount Rcpt Snap
Alden Part #	Individual Package: 370000 Bulk Package: * 370001	Individual Package: 375000 Bulk Package: * 375001	Individual Package: 375002 Bulk Package: * 375003
Data Rate	10BASE-T, 100BASE-Tx	10BASE-T, 100BASE-Tx	10BASE-T, 100BASE-Tx
TIA/EIA	Category 5e	Category 5e	Category 5e
# Contacts	4	4	4
Environmental	IP65 & IP67	IP65 & IP67	IP65 & IP67
Temperature Range	-25C to +85C (-13F to 185F)	-25C to +85C (-13F to 185F)	-25C to +85C (-13F to 185F)
Coding	"D" Coding per IEC 61076-2-101	"D" Coding per IEC 61076-2-101	"D" Coding per IEC 61076-2-101
Operating Current	4 AMP	4 AMP	4 AMP
Operating Voltage	250 V	250 V	250 V
UL Approved	Pending	Pending	Pending
Housing Material	Zamak	Zamak	Zamak
Insert Material	Nylon	Nylon	Nylon
Contact Plating Mating Surface	Gold over Nickel	Gold over Nickel	Gold over Nickel
O- Ring / Interfacial Seal	Silicon / Viton	Viton	Viton
Contact Material	Copper Alloy & Brass	Brass	Brass
Wire / Contact Size	22 / 24 awg stranded 24 AWG solid	N/A	N/A

\*\* Bulk packaged in increments of 1

For additional information about this, or any other Alden product, please contact an Alden Products specialist today.

Phone: 508-427-7000

Fax: 508-427-7181

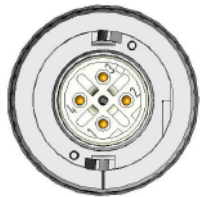
www.aldenproducts.com Pg. 1

# PULSE PLUS™ 4-Pin Pin/Socket Industrial Ethernet Connector

Industrial, Commercial, Residential, and other Harsh Environment Applications with limited space issues

**TABLE A: STANDARD CONTACT CONFIGURATIONS & SPECIFICATIONS**

**Pulse Plus Plug Face**



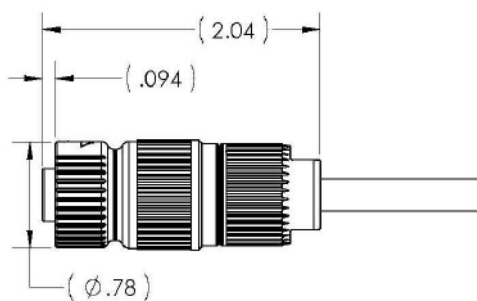
**Pulse Plus Receptacle Face**



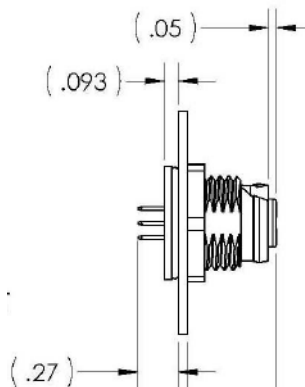
PIN	Assignment	ODVA Ethernet/IP	PNO Profinet
Pin 1	Tx+	White-Orange	Yellow
Pin 2	Rx+	White-Green	White
Pin 3	Tx-	Orange	Orange
Pin 4	Rx-	Green	Blue

## STANDARD HOUSING OPTIONS

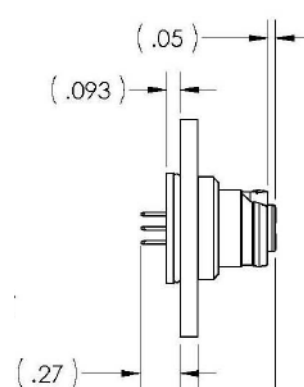
**Pulse Plus Plug Style**



**Panel Mount Thread Style**

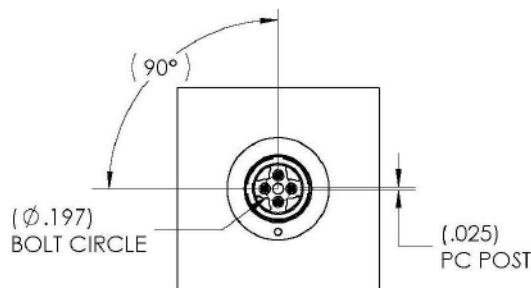
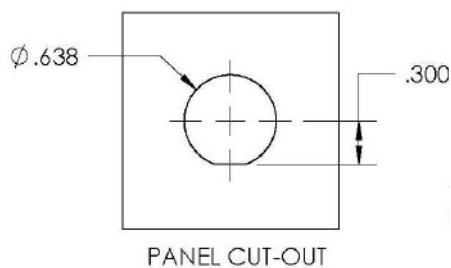


**Panel Mount Snap Style**



\* All dimensions shown in inches except where indicated

## PULSE-PLUS PC MOUNT



## ASSEMBLY INSTRUCTIONS



Download a complete set of Pulse Plus™ assembly instructions at our website:  
[www.aldenproducts.com/pulseplus/instructions.pdf](http://www.aldenproducts.com/pulseplus/instructions.pdf)

For additional information about this, or any other Alden product, please contact an Alden Products specialist today.

Phone: 508-427-7000  
 Fax: 508-427-7181  
[www.aldenproducts.com](http://www.aldenproducts.com)